

Ultrasonic Flowmeter

Miu990 is ultra low power flow meter designed in accordance with EN1434 to cater to the specific needs of Water and waste water industry.

It is available in sizes 15mm (1/2"NB) to 1000mm (40"NB) in two models. Threaded end connection for smaller sizes up to 40mm(3 1/2 "NB) and Flanged end connections for sizes

The flow meter works on 'time of flight' principle and measures flow in accordance with the difference of time taken by sound wave to travel in up and down direction in flow path.

Miu990**Features**

- Works on battery power
- Ideal for simple measuring tasks - continuous flow and totaliser for cumulative volume reading
- Guaranteed safety of application
- 'MiU990' offers all basic functions to guarantee very high reliability and measured value stability
- No moving parts
- No pressure loss
- Increased life
- Excellent repeatability due to no wear and tear
- Optimum process control based on an accuracy of + 0.5%
- Service-friendly - functional design makes maintenance work easier –
- MODBUS RTU/ASCII protocol over RS485 provide ease of communication
- Ceramic sensor provide wide temperature range – 40 to 160°C
- Pulse output enables connectivity or data transfer over RF/GSM/GPRS
- 5-6 years battery life
- Ideal solution for service issues with mechanical movement flow meters

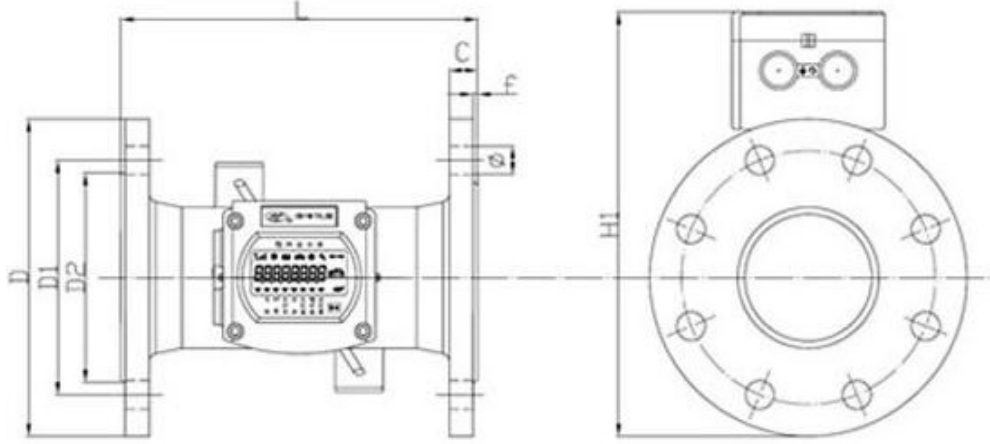
Applications

- Raw Water (Prior to treatment)
- Pure Water (Treated)
- Waste water / Hot water at 125C
- Sea Water
- Kerosene/Gasoline/Fuel oil/Crude Oil/ Propane at -45C/Butane at 0C/ other liquids/Diesel Oil
- Caster Oil/ Peanut Oil
- 90 Gasoline/93 Gasoline/Alcohol

General Specifications

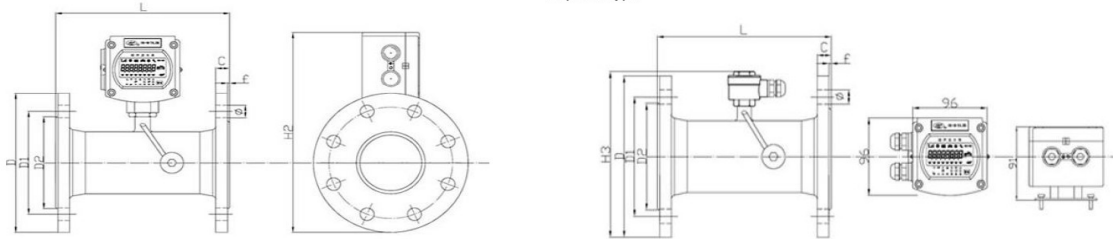
- Nominal diameter: 1/2 "NB – 40"NB (15mm-1000mm)
- Maximum fluid temperature:
- DC Power supply: 3.6 V/ 24 V for RS485
- Power Consumption: <1W
- Battery Type: Li-ion
- Battery life: 5 yr – 6 Yr depending upon size
- Guarantee: 1 yr – 5 yr depending upon type of battery and order terms.
- Various display view options
- Complete working unit no need of commissioning
- IP67 standard / IP68 available
- Self diagnostic error indications
- Flow Direction Indication
- Battery Status indication
- Service requirement prompt

Dimensions:



Normal type

Separate type



DN	Length	Width	Height	Thread	Weight	Pressure MPa
15	165	96	132	¾"	1.25	4.0
20	195	96	138	1"	1.7	
25	225	96	147	1 ¼"	2.4	
32	230	96	153	1 ½"	2.7	
40	245	96	165	2"	4.8	

Size	Length	D	D1	No.	□	D2	Thk	H1	H2	H3	Wt.
50	200	165	125	18	4	99	15	234	255	172	7.5
65	200	185	145	18	4	118	15	254	275	192	10.2
80	225	200	160	18	4	132	16	266	289	205	11
100	250	220	180	18	8	156	16	287	308	225	13.5
125	200	250	210	18	8	184	18	315	336	253	17.5
150	300	285	240	22	8	211	18	345	366	285	22.8
200	350	340	295	22	12	266	22	403	424	340	34.2
250	450	405	355	26	12	319	22	462	483	405	65.8
300	500	480	410	26	12	370	25	516	537	480	76.6
350	550	520	470	26	12	429	25	572	593	520	86.4
400	600	580	525	26	16	480	28	626	647	580	121
450	700	640	585	30	20	548	34	682	703	640	168
500	800	715	650	33	20	609	36	745	766	715	256
600	1000	840	770	36	20	720	38	858	879	840	295
700	1100	910	840	36	24	794	40	938	959	910	323
800	1200	1025	950	39	24	901	42	1046	1067	1025	386
900	1300	1125	1050	39	28	1001	44	1146	1167	1125	465
1000	1400	1255	1170	42	28	1112	46	1261	1282	1255	510

Continuous product development causes change in specifications without notice!!!



www.miflowmeter.com
ISO9001:2015

MiFlowmeter Systems

Flow Metering Experts

E-8, Preamsagar, CTS 4269, Near PCMC Auditorium, Chinchwad, Pune – 411033

Website: www.miflowmeter.com

Contact: 7038878389, email: miflowmeter@gmail.com